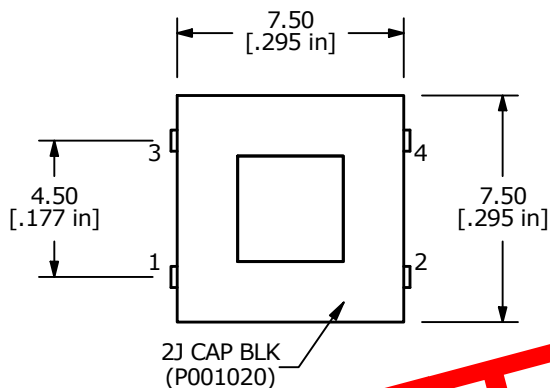
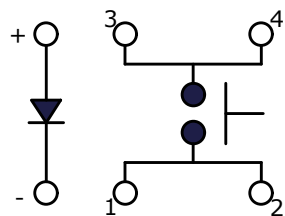
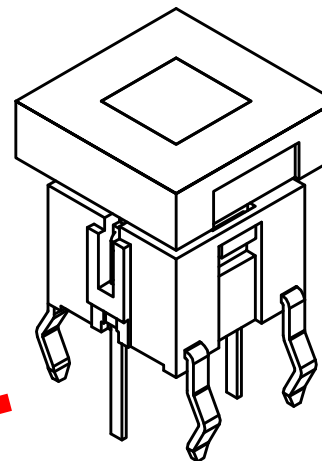


P.C.B. LAYOUT



2J CAP BLK (P001020)



CIRCUIT: SPST

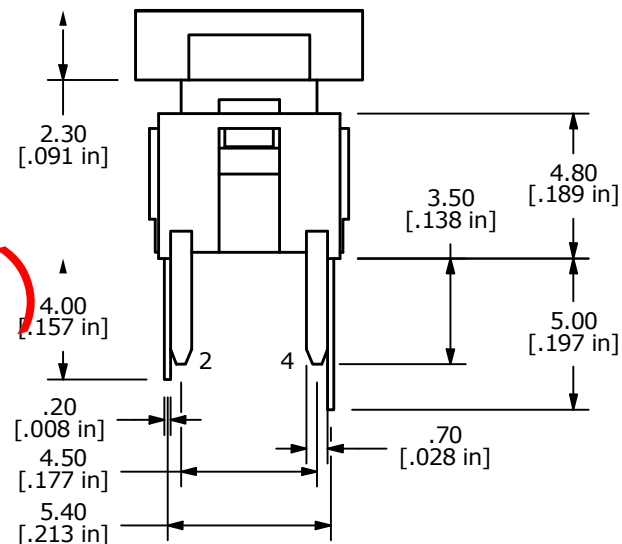
NOTES:

1. ALL DIMENSIONS IN MM
2. GENERAL TOLERANCE: X.X=±0.4  
X.XX=±0.25
3. RATING: 50mA @ 12VDC
4. TRAVEL: 0.25 +0.2/-0.1mm
- ▲ 5. OPERATING FORCE: 160±50gf
6. CONTACT RESISTANCE: 100 Milli-Ohms Max
7. 2002/95/EC (ROHS) COMPLIANT
- ▲ 8. SHORTER LEAD (VIOLET COLOR) IS NEGATIVE (CATHODE).
9. ▲ DENOTES CRITICAL PARAMETER

OBSOLETE  
 MARCH 2021  
 PCR 24815  
 (See XP0041P)



SEE NOTE #8



LED SPECS	UNITS	RED
FORWARD CURRENT	mA	20
FORWARD VOLTAGE	V	1.8-2.5
LUMINOUS INTENSITY	MCD	150



D	19550	DRAWING UPDATE / CLEAN-UP	12/28/10	BGL
REV	PCR NO	DESCRIPTION	DATE	BY

TITLE	TL1240RQ2JBLK			
SCALE	4:1	DATE	12/28/2010	DR
			BGL	DWG
			XP0041A	REV
				D

THE INFORMATION CONTAINED IN THIS DOCUMENT IS PROPRIETARY TO E-SWITCH AND IS NOT TO BE COPIED OR TRANSFERRED